

iLC

intelligent Luminaire Controller

For efficient control of street and urban lighting

- ✓ OLC LonMark® profile
- ✓ Can address max. up to 4 operating devices
- ✓ Integrated relay
- ✓ Stand-alone or remote-control
- ✓ Individually programmable and updateable



The interoperable iLC luminaire controller is designed for use in street and urban lighting. It controls magnetic and electronic operating devices fitted with a 1–10 V or digital luminaire control interface via standardised powerline communication based on the OLC LonMark® profile.

iLC is intended for installation in luminaire on top or in a junction box at the bottom of the pole.

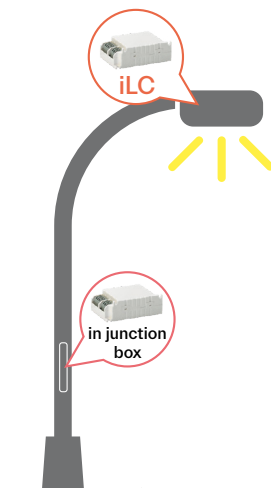
With the iLC, environmental factors such as reduction of energy consumption and thus lower CO₂ emissions are taken into account as well as the opportunity to adapt the light level according to the needs.

iLC detects failures and follows consumption in remote-controlled version. Up to 10 dimming levels with individual dimming sequences in stand-alone mode are possible.

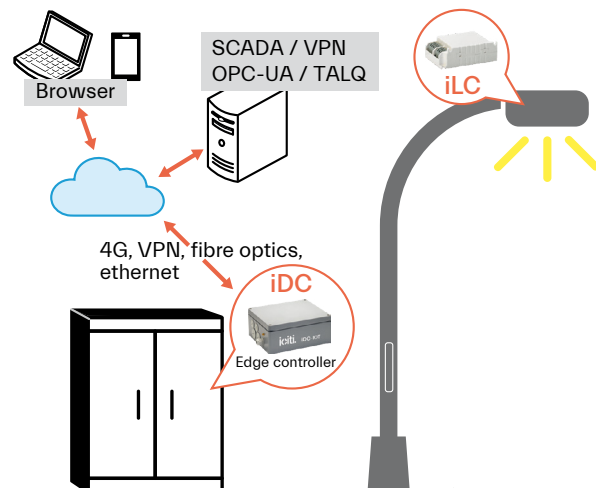
Any external sensor can be added thanks to dry-contact input.



For stand-alone operation
without central management

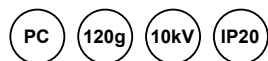
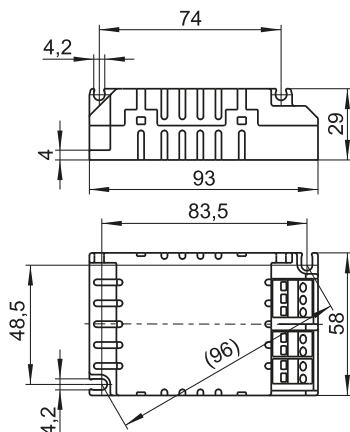


For remote control
with central management



Dimensions (mm)

L 93 mm / W 58 mm / H 29 mm



| iLC-100 | |
|-----------------------------|---|
| Ref. No. | 200003 |
| Mains voltage/frequency | 110-240 V AC (± 10%), 50/60 Hz |
| Power consumption | 1-3 W |
| Communication | via powerline in acc. with CENELEC 50065-1, class 2 acc. to 2000/299/EC |
| Band | primary band (C) 125-140 kHz, secondary band (B) 95-125 kHz |
| Standard compliance | EN 14908-1, ANSI/CTA 709.1 and EN 14908-3, ANSI/CTA 709.2 |
| LonMark® OLC profile | Interoperable, use of mandatory network variables and configuration parameters, repeatable |
| Galvanic isolation | No electrical isolation from input to output (as soon as the electronic device is connected to the iLC, the control input ceases to be electrically isolated) |
| Switching current | 4 A (at λ = 0.8) |
| Control output | short-circuit proof, switchable 1-10 V, PWM or digital interface (1200 Bit/s, serial asynchronous, 8 mA voltage level 16 V); addressing range of the digital interface: max. 4 ballasts |
| Firmware update | via powerline |
| Control parameters | Switch on and off, dimming |
| Operating temperature range | -25 to +80 °C |
| Storage temperature range | -25 to +85 °C |
| Humidity | 90% non-condensing |
| Mean time between failure | 50,000 h |
| Luminaire protection class | Suitable for luminaires of protection class I and II |
| Connection terminals | for single, stranded leads: 0.5-1.5 mm ² |

Typical application fields



Functions

- ✓ Dimming, ON/OFF
- ✓ Delayed switching off or early switching on of the lighting in the closer area of pedestrian crossing zones for safety reasons.
- ✓ Maintenance factor function to ensure a constant luminous flux over the lamp lifetime.
- ✓ Using the control input (e.g. with a push button or motions ensor) the system can be switched to a certain lighting level for a freely configurable period of time.
- ✓ Intelligent switching time dimming for stand-alone operation (up to 10 dimming levels and sequences).

Measured data

- ✓ Voltage
 - ✓ Current
 - ✓ Power factor
 - ✓ Power consumption
 - ✓ Energy
 - ✓ Temperature
 - ✓ Operating hours
- with an accuracy of better than 1%

For more detailed information please visit our website
www.icitech.com/products/ilc-2/

